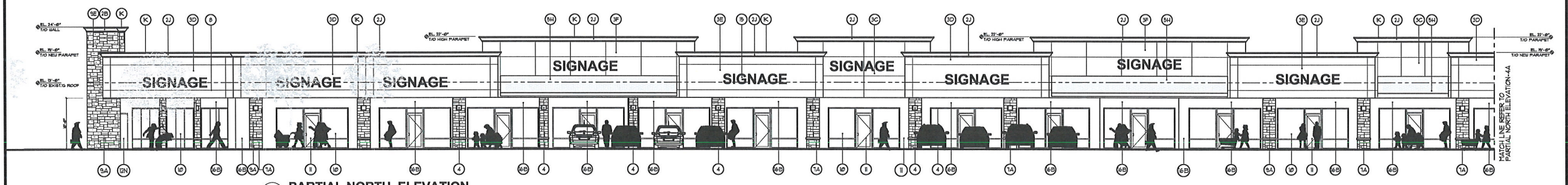
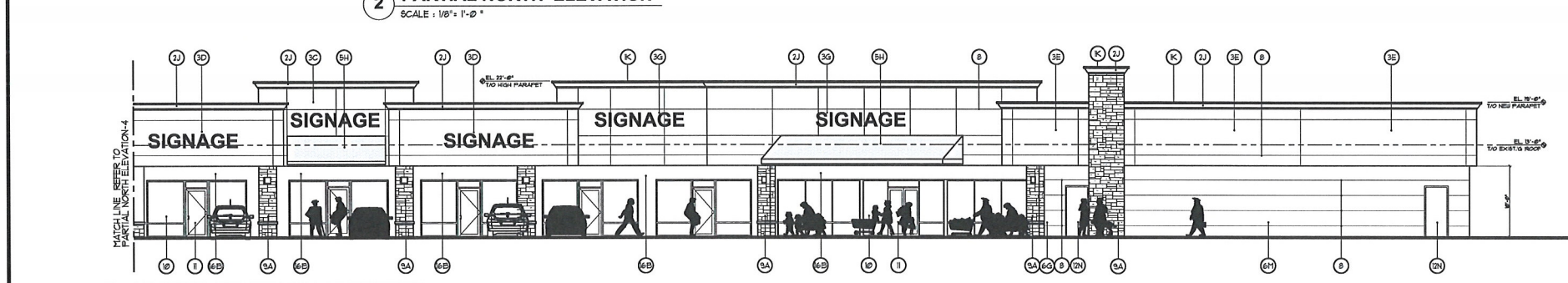


1 EAST ELEVATION
SCALE: 1/8" = 1'-0"



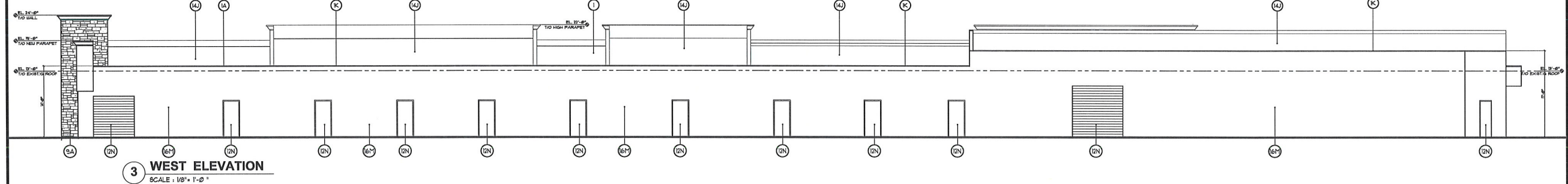
2 PARTIAL NORTH ELEVATION
SCALE: 1/8" = 1'-0"



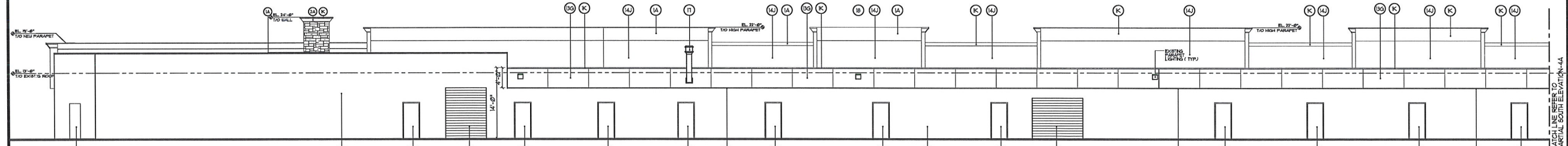
2A PARTIAL NORTH END ELEVATION
SCALE: 1/8" = 1'-0"

EXTERIOR FINISHES		
① PREFINISHED METAL FLASHING	① CULTURE STONE ON PLASTER COLUMN BASE	① 4'-0" x 8'-0" HANG BOARD (PAINTED)
① ACRYLIC STUCCO FINISH ON POLYURETHANE CORNICE PROFILE	① EPS STUCCO REVEAL	① BACK PARAPET - METAL FLASHING
① ACRYLIC STUCCO FINISH ON EPS / CANOPY /	① CULTURE STONE	① SIGNAGE
① WALL LIGHT FOOTING	① EXISTING SIGNFRONT BRICK	① RE-Paint EXISTING STUCCO WALL
① FABRIC AWNING	① EXISTING SIGNFRONT DOOR	① EXISTING EXHAUST DUCT
① ACRYLIC STUCCO FINISH ON NEW EPS WALL OVER EXISTING WALL	① EXISTING METAL DOOR / OVERHEAD DOOR TO BE RE-PAINTED	① 8" HIGH STUCCO BAND

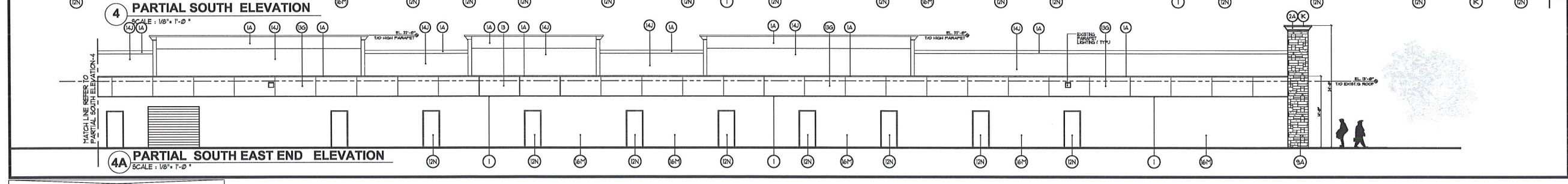
EXTERIOR COLOURS	
① CULTURE STONE, CHARCONNAT COBBLEFIELD - CIV 30386	
① CC-38 NATURAL LINEN by BENJAMIN MOORE	
① CC-34 GREAT PLAINS by BENJAMIN MOORE	
① CC-338 BLUEB by BENJAMIN MOORE	
① CC-438 BLUE HEARTH by BENJAMIN MOORE	
① CC-568 PARCHWOOD by BENJAMIN MOORE	
① CC-316 FLAGSTONE by BENJAMIN MOORE	
① CORPORATE RED AWNING (as req.)	
① HC-13 BRANCHPORT BRICK by BENJAMIN MOORE (context)	
① CC-484 PETRO BROWN (flashing)	
① CC-378 - DARK BROWN (awnings)	
① HC-45 BRITALL BRICK by BENJAMIN MOORE	
① 33-18 PINK by BENJAMIN MOORE	



3 WEST ELEVATION
SCALE: 1/8" = 1'-0"



4 PARTIAL SOUTH ELEVATION
SCALE: 1/8" = 1'-0"



4A PARTIAL SOUTH EAST END ELEVATION
SCALE: 1/8" = 1'-0"

1	REVISION
2	ISSUED FOR DP
3	ISSUED FOR PERMITS
4	ISSUED FOR CONSTRUCTION

This drawing, as an instrument of service, is the property of Urban Design Group Architects Ltd., and may not be reproduced, copied or loaned without written permission. All designs, concepts, and other information shown on this drawing, are for use on this project only, and shall not be used otherwise without written permission.

BOWEN CENTER RENOVATION
 1925 BOWEN ROAD, NANAIMO
 for **ELDORADO CORPORATION LTD.**



urban architects ltd.
 600-1140 WEST PENDER
 VANCOUVER, BC V6E 4G1
 TELEPHONE 604-687-2334
 FACSIMILE 604-688-7881

Project number: **3302**
 sheet title: **ELEVATION BUILDING - A**
 date: MARCH 2011
 scale: 1/8" = 1'-0"
 drawn: ENC
 checked: A-3.0