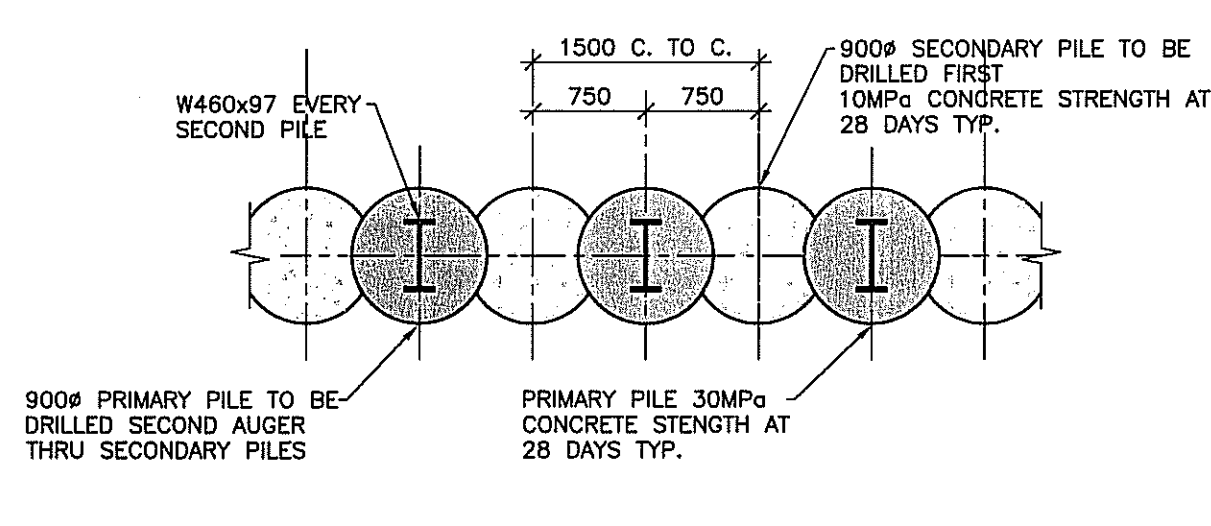


CUTOFF WALL PLAN - SECANT PILE LAYOUT
SCALE: 1:100



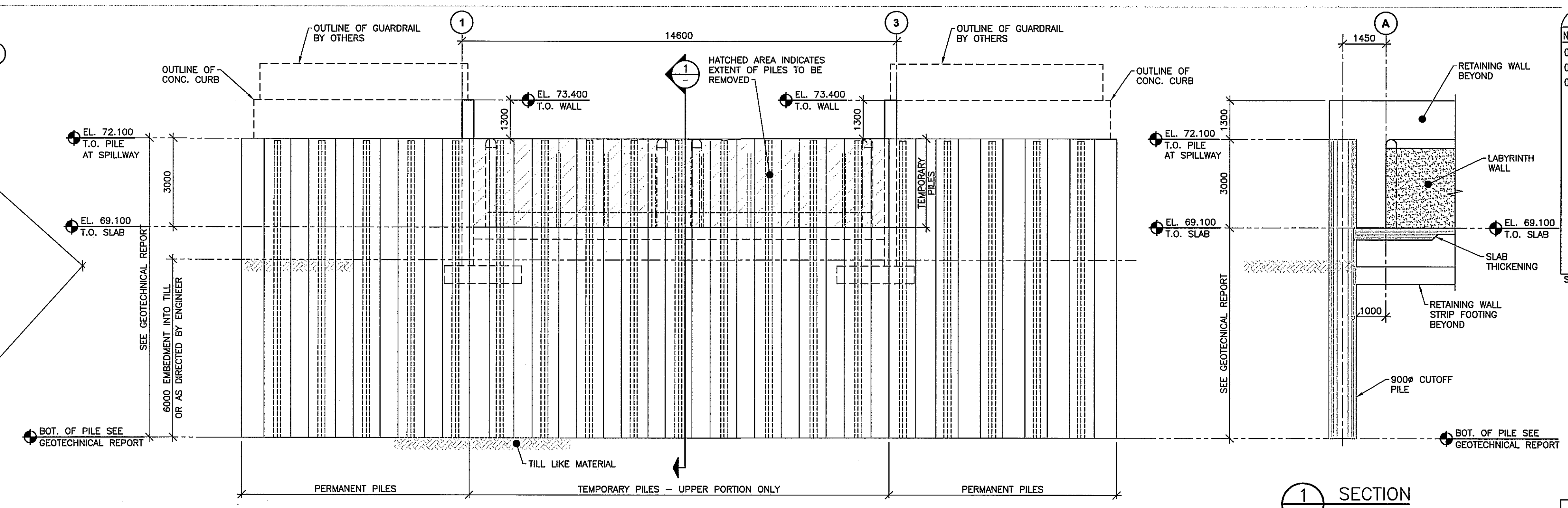
TYPICAL PILE DETAILS
SCALE: 1:50

- NOTES**
- FOR PILE LAYOUT AND INSTALLATION SPECIFICATIONS SEE GOLDER ASSOCIATES "SECANT CAISSON WALL TECHNICAL SPECIFICATIONS" DOCUMENT AND ASSOCIATED DRAWINGS FOR THE NANAIMO COLLIERY DAM AUXILIARY SPILLWAY, NANAIMO, BC.
 - PILES DESIGNED IN CONFORMANCE WITH CAN/CSA S6-06 CHBDC FOR LOADING AND CAPACITIES
 - CONCRETE TO BE INSTALLED IN CONFORMANCE WITH CAN/CSA S6-06 CHBDC FOR THE INSTALLATION OF CAST IN PLACE CONCRETE MEMBERS.
 - FOR GENERAL NOTES SEE DWG. S101.
 - FOR CONCRETE SPECIFICATIONS SEE GOLDER ASSOCIATES "SECANT CAISSON WALL TECHNICAL SPECIFICATIONS" DOCUMENT FOR THE NANAIMO COLLIERY DAM AUXILIARY SPILLWAY, NANAIMO, BC.

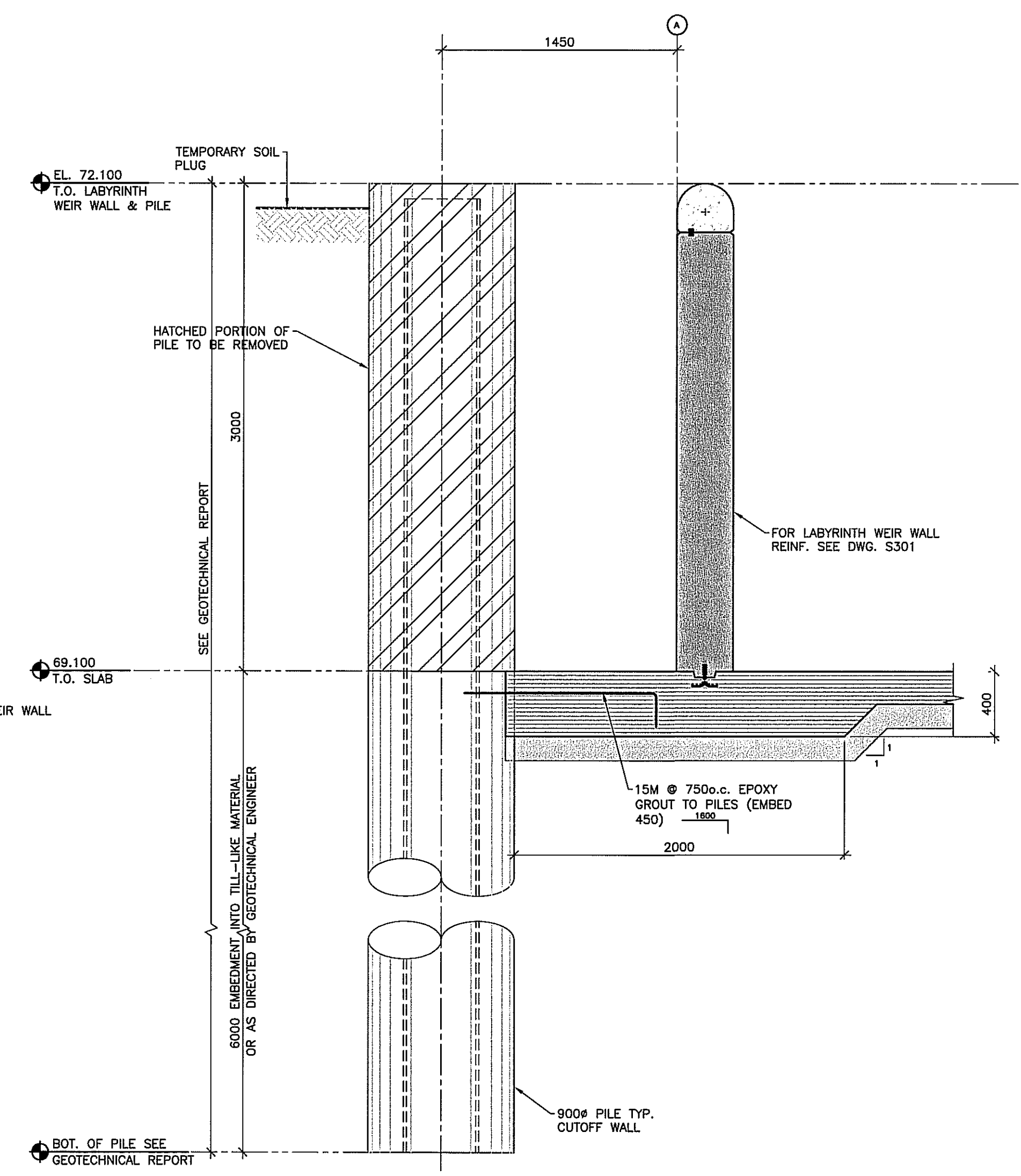
STRUCTURAL STEEL

- PROVIDE STRUCTURAL STEEL TO CSA G40.20-04/G40.21-04 (R2009) OR ASTM A992 WITH THE FOLLOWING GRADES:
WIDE FLANGE COLUMNS 350W (50W) OR ASTM A992/A992M-11

A DETAIL
SCALE: 1:50



LOOKING SOUTHEAST
ELEVATION OF CUTOFF WALL
SCALE: 1:100



2 SECTION
SCALE: 1:25

1 SECTION
SCALE: 1:100

ISSUED FOR CONSTRUCTION

ISSUES		
No.	DATE	ISSUED FOR
01	2015.09.18	CLIENT REVIEW
02	2015.10.15	COORDINATION
03	2015.10.20	CONSTRUCTION

SUB CONSULTANT

NORTH

COLLIERY DAM - STRUCTURAL 2015

CITY OF NANAIMO

HEROLD ENGINEERING

3701 Shenton Rd, Nanaimo, BC V9T 2H1
Tel: 250-751-8558 Fax: 250-751-8559
Email: mail@heroldengineering.com

©Copyright reserved. This drawing remains the exclusive property of Herold Engineering Limited and may not be reprinted or reproduced without written consent of Herold Engineering Limited.

CUTOFF WALL PLAN - SECANT PILE LAYOUT AND DETAILS

DESIGNED CDW	ENGINEER'S SEAL
DESIGN REVIEW GAB	
DRAFTED SJM	
DRAFTING REVIEW	
PROJECT No. 0017-276	CLIENT DRAWING No. n/a
SCALE AS SHOWN	PERMIT No. n/a
HEL DRAWING No. S202	REVISION 03