

INSTALL PEEL & STICK (P&S)
GUSSETS WITH PRIMER
AS PER MANUFACTURERS
INSTRUCTIONS

2mm MIN GAP
IN SHEATHING

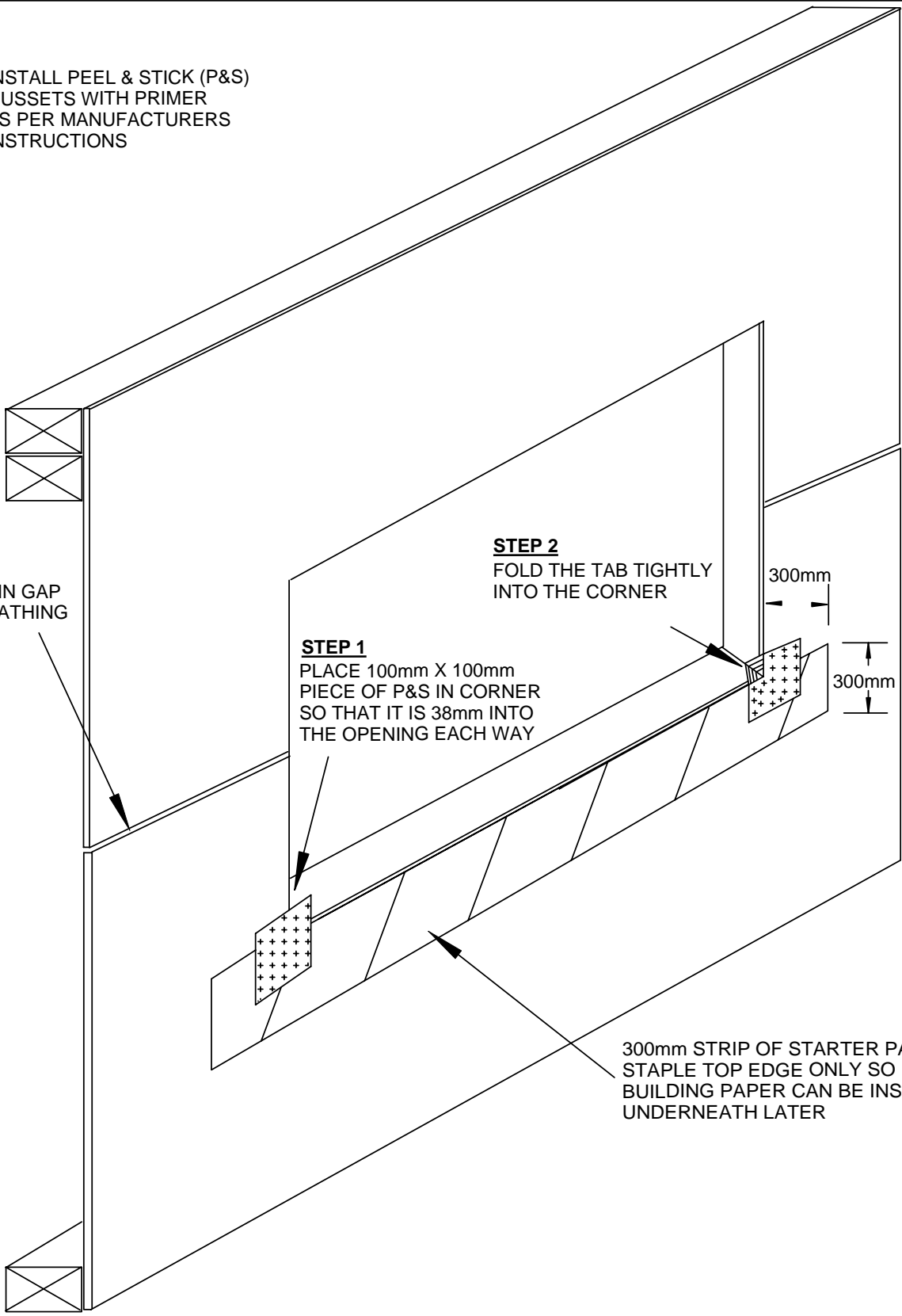
STEP 1
PLACE 100mm X 100mm
PIECE OF P&S IN CORNER
SO THAT IT IS 38mm INTO
THE OPENING EACH WAY

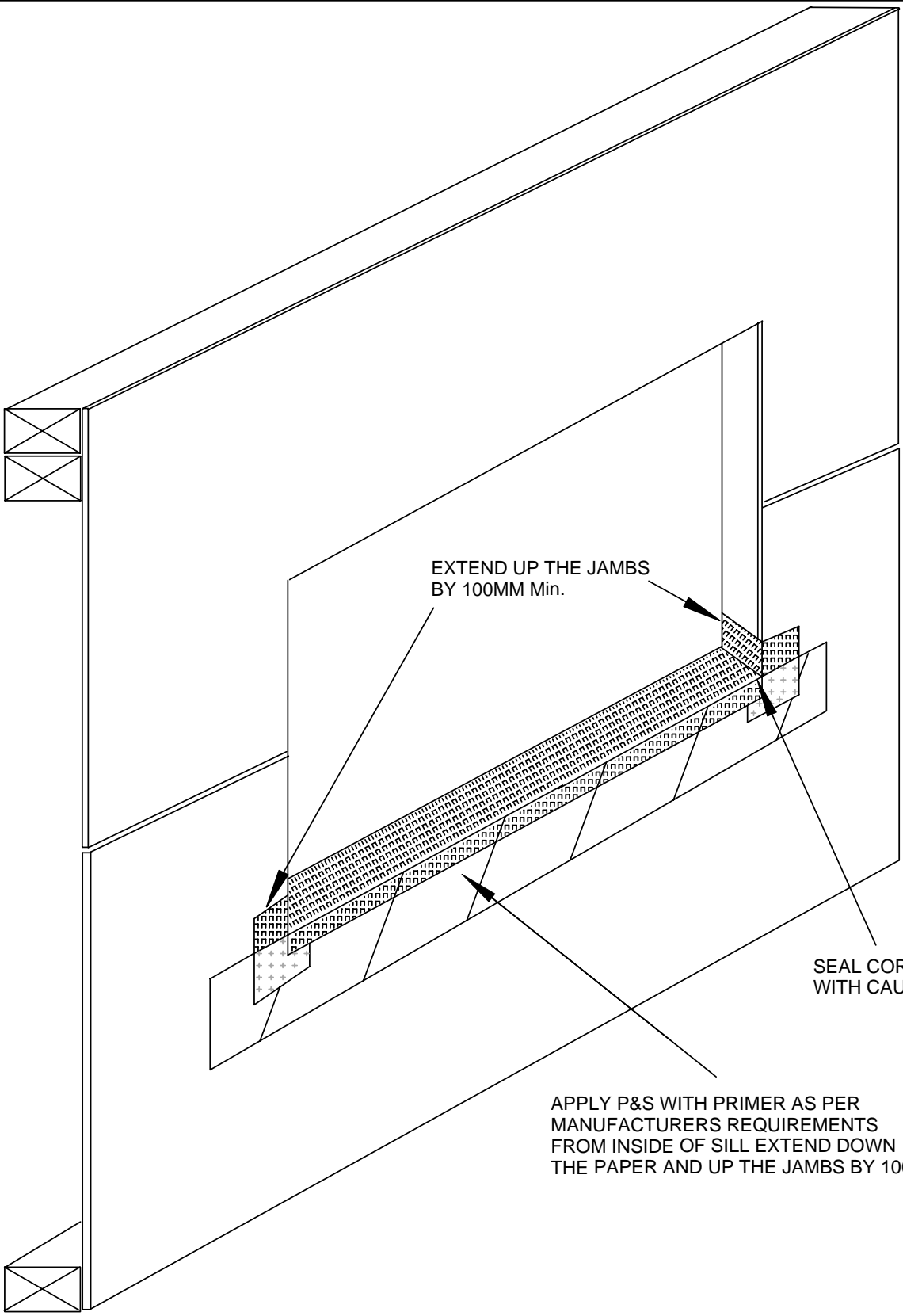
STEP 2
FOLD THE TAB TIGHTLY
INTO THE CORNER

300mm

300mm

300mm STRIP OF STARTER PAPER
STAPLE TOP EDGE ONLY SO
BUILDING PAPER CAN BE INSTALLED
UNDERNEATH LATER





EXTEND UP THE JAMBS
BY 100MM Min.

SEAL CORNER
WITH CAULK

APPLY P&S WITH PRIMER AS PER
MANUFACTURERS REQUIREMENTS
FROM INSIDE OF SILL EXTEND DOWN
THE PAPER AND UP THE JAMBS BY 100MM Min.

OVERLAP ALL FLASHING PAPER
SHINGLE STYLE (AS SHOWN)

RETURN BUILDING PAPER
INTO ROUGH OPENING

300MM

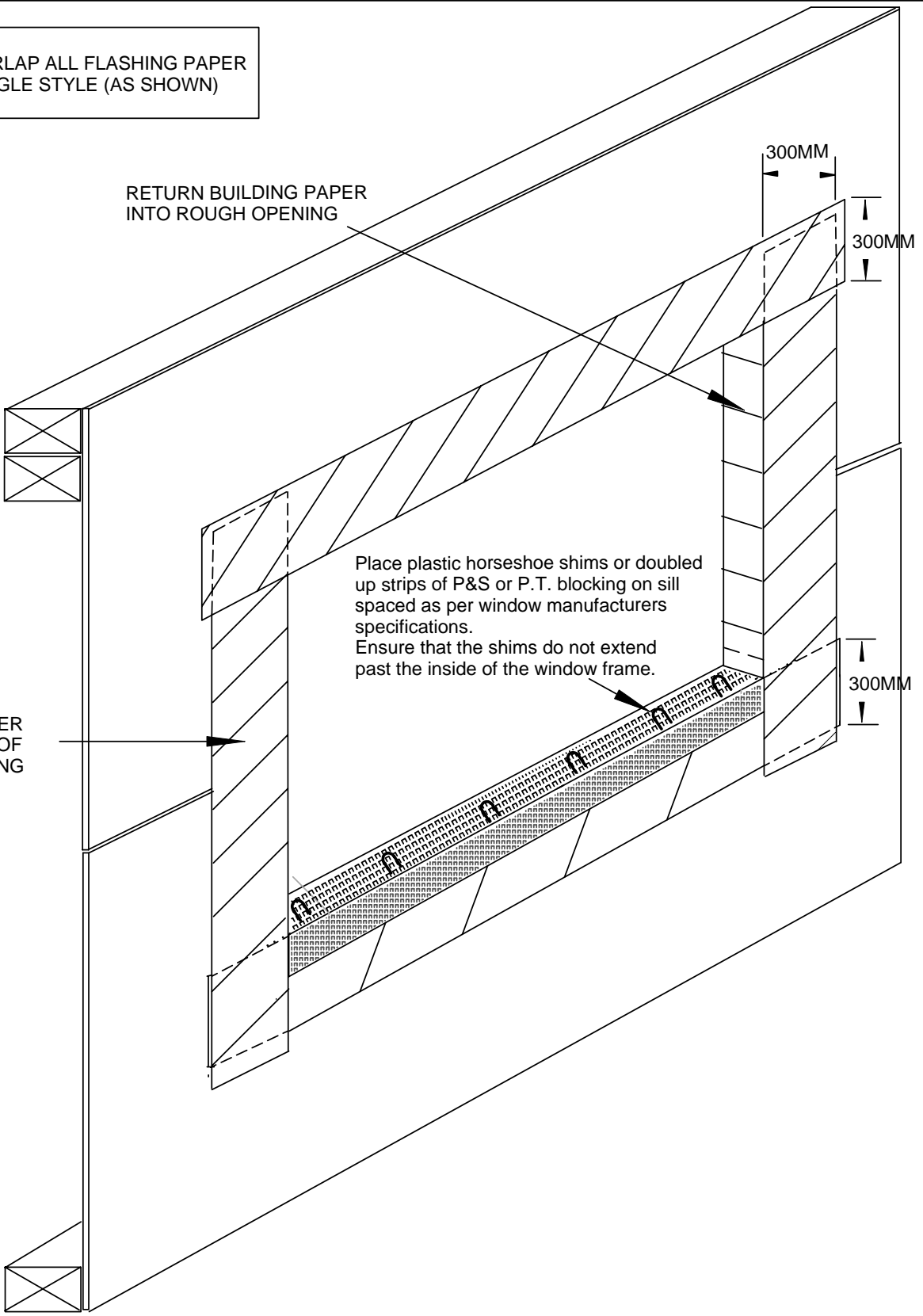
300MM

Place plastic horseshoe shims or doubled
up strips of P&S or P.T. blocking on sill
spaced as per window manufacturers
specifications.
Ensure that the shims do not extend
past the inside of the window frame.

300MM

300MM

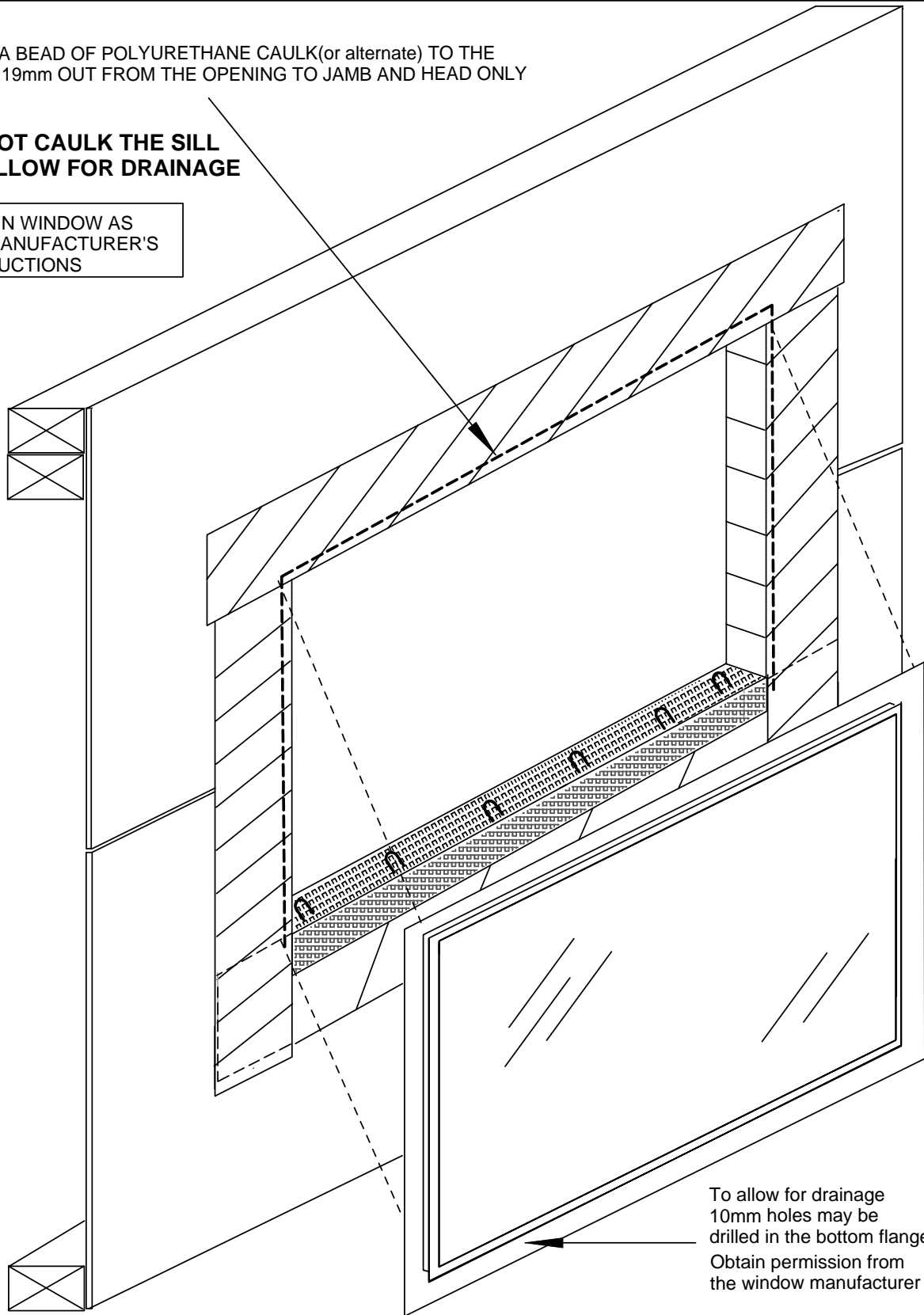
STARTER
STRIP OF
BUILDING
PAPER



APPLY A BEAD OF POLYURETHANE CAULK(or alternate) TO THE PAPER 19mm OUT FROM THE OPENING TO JAMB AND HEAD ONLY

DO NOT CAULK THE SILL TO ALLOW FOR DRAINAGE

FASTEN WINDOW AS PER MANUFACTURER'S INSTRUCTIONS



To allow for drainage 10mm holes may be drilled in the bottom flange. Obtain permission from the window manufacturer

ALL VERTICAL LAPS TO BE 100mm Min. AND STAGGERED

THE INSIDE OF THE FRAME IS TO BE SEALED TO THE AIR/VAPOUR BARRIER (A.B & V.B.) ON ALL FOUR SIDES WITH POLYURETHANE CAULK AT THE SILL AND ROD & CAULK AT THE JAMBS & HEAD
(See details 3.0 to 3.2)

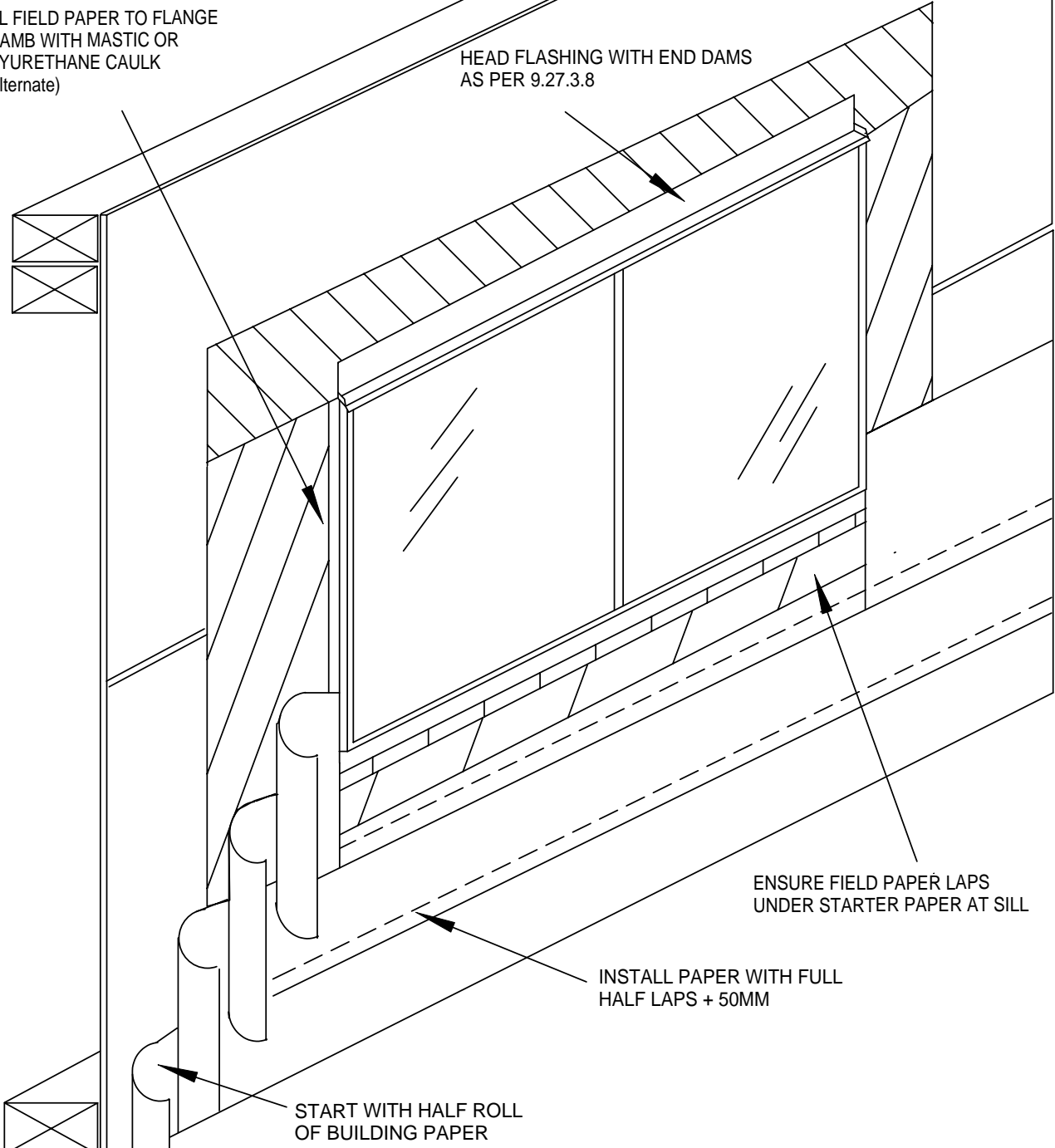
SEAL FIELD PAPER TO FLANGE AT JAMB WITH MASTIC OR POLYURETHANE CAULK (or alternate)

HEAD FLASHING WITH END DAMS AS PER 9.27.3.8

ENSURE FIELD PAPER LAPS UNDER STARTER PAPER AT SILL

INSTALL PAPER WITH FULL HALF LAPS + 50MM

START WITH HALF ROLL OF BUILDING PAPER



STRAPPING MUST BE INSTALLED OVER STUDS UNLESS SHEATHING IS A MIN OF 12.5mm THICK (BCBC 9.27.5.1.2)

SEAL BUILDING PAPER TO HEAD FLASHING AND TO FLANGE OF WINDOW AT JAMB WITH POLYURETHANE CAULK (or alternate)

HEAD FLASHING WITH END DAM

10MM GAP BETWEEN STRAPPING AND WINDOW

SILL FLASHING REQUIRED AT BOTTOM OF WINDOW

CLADDING

SILL PEEL & STICK

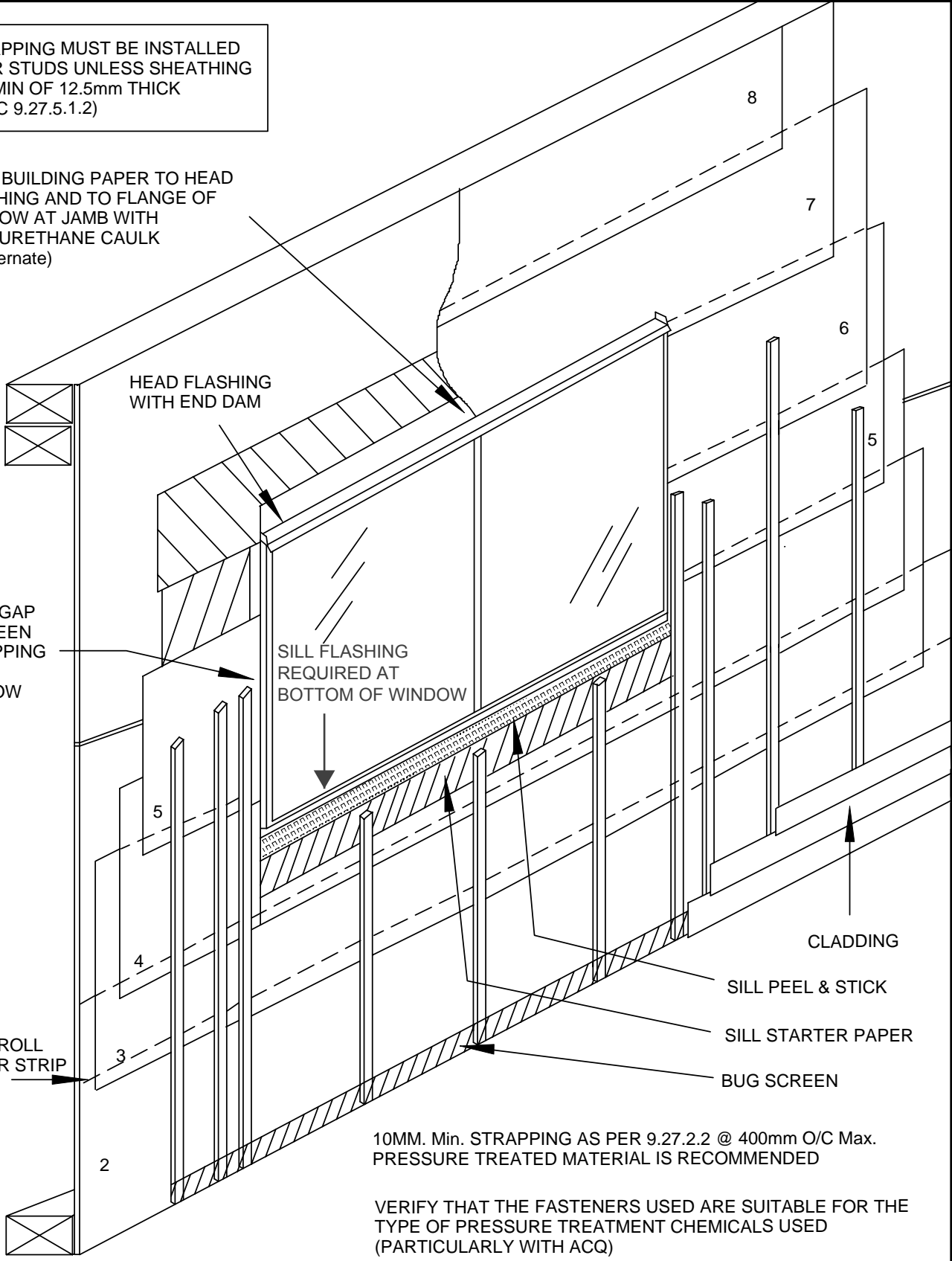
SILL STARTER PAPER

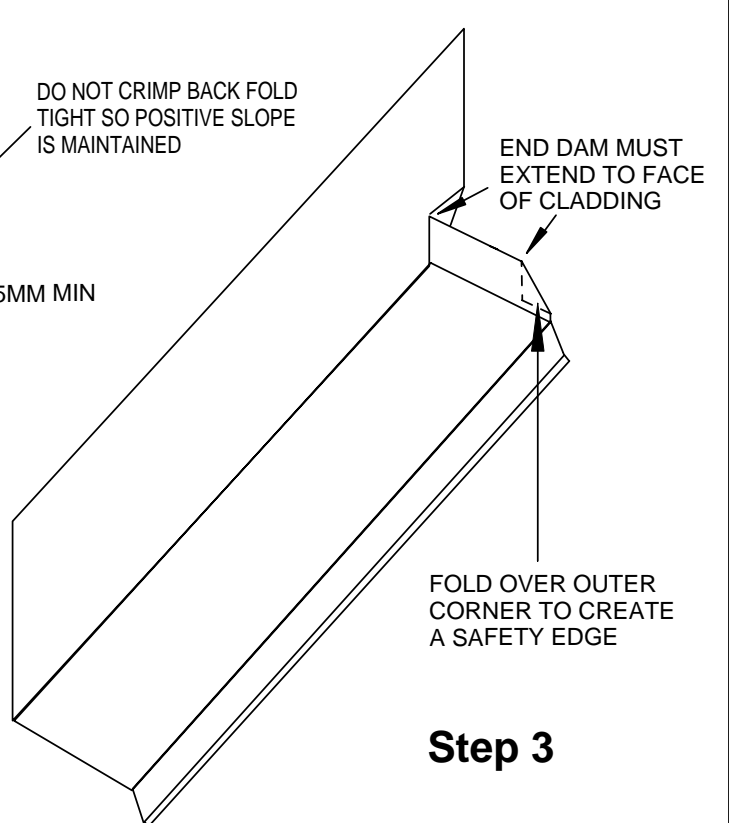
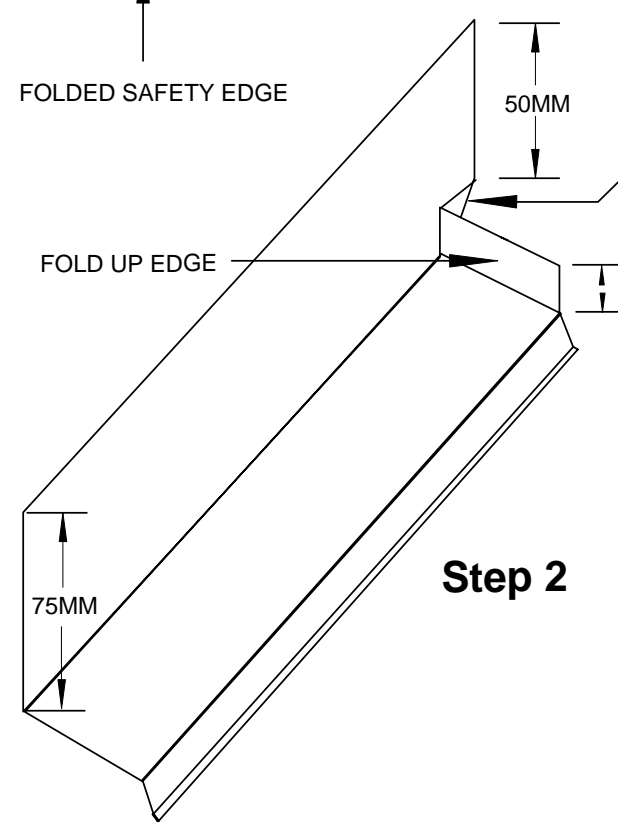
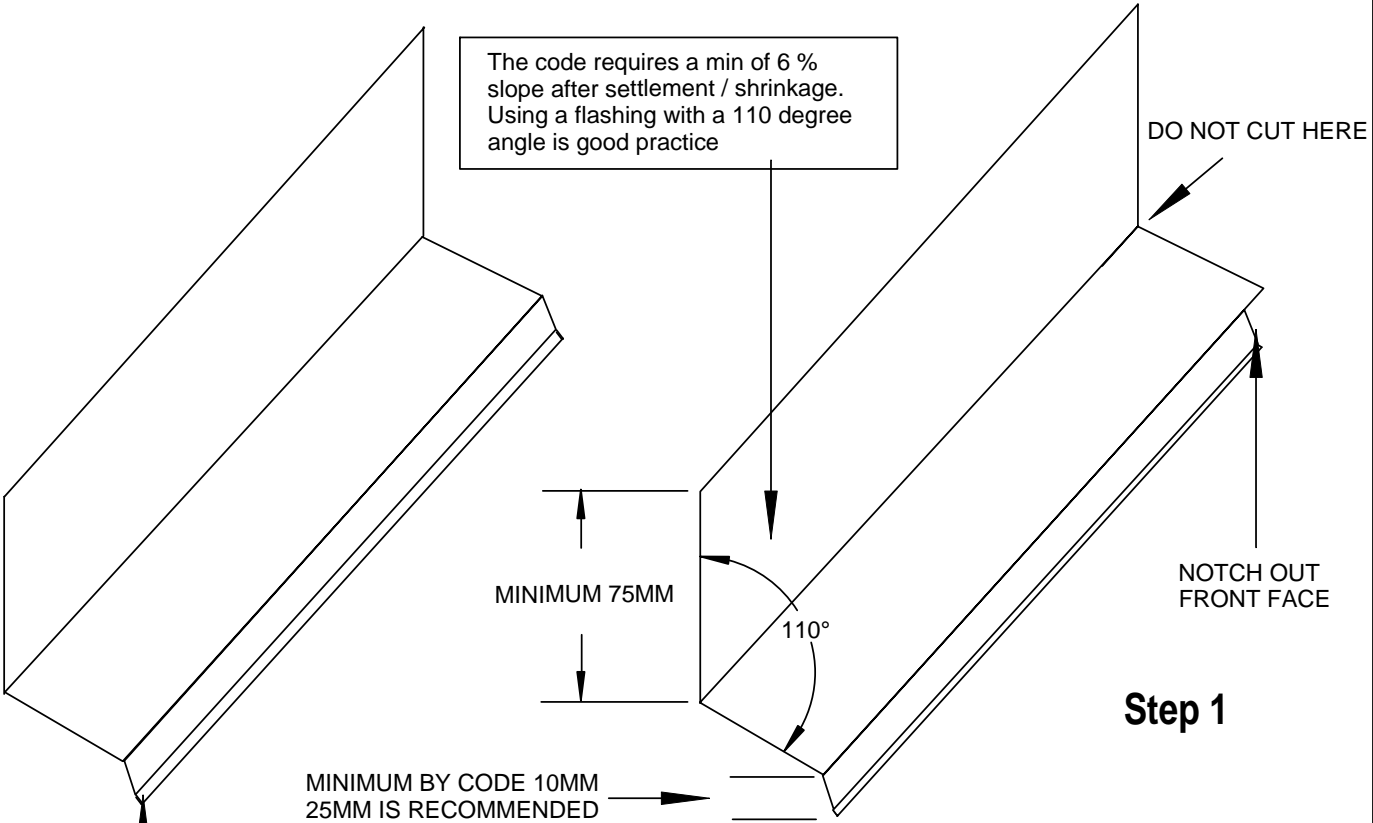
BUG SCREEN

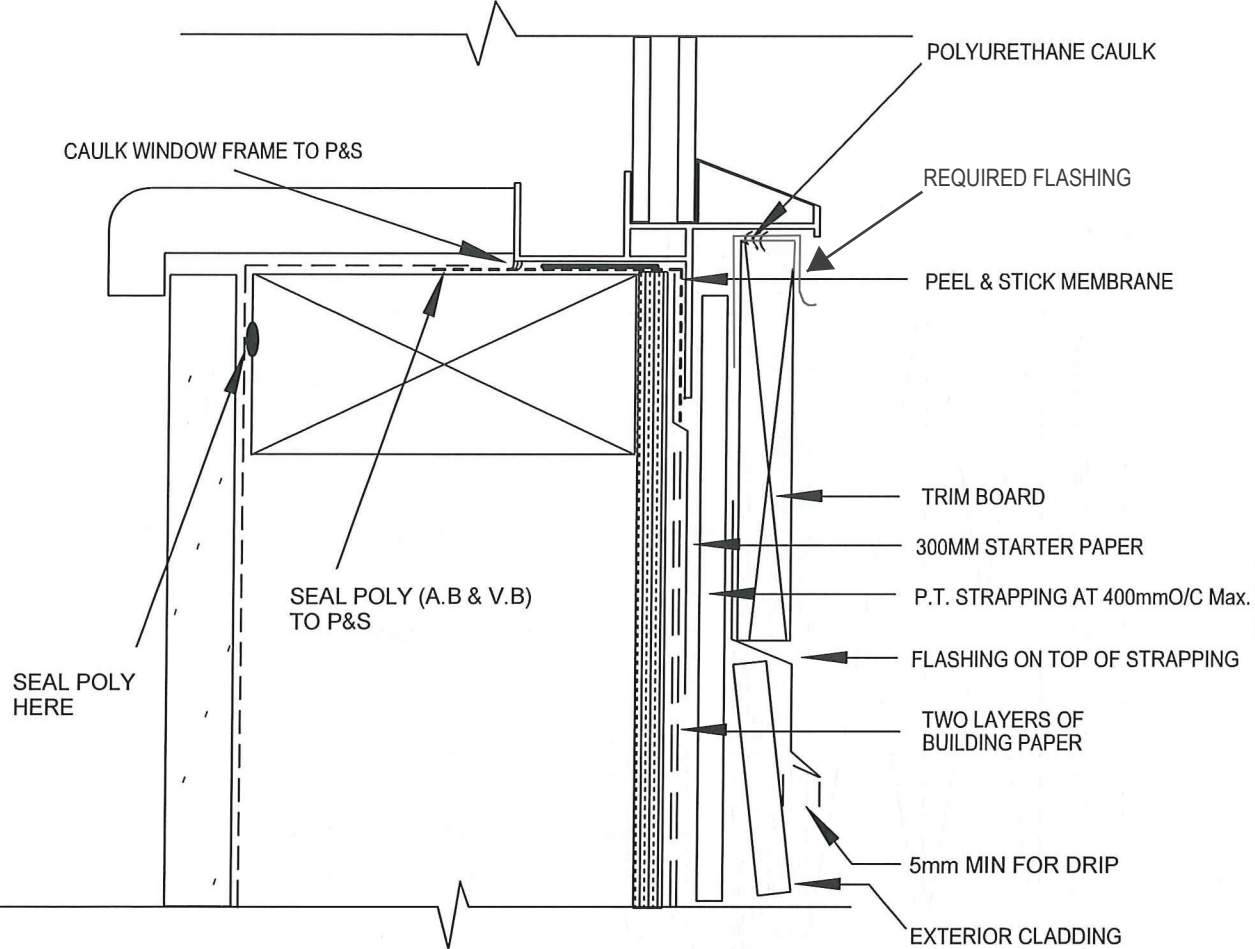
1. HALF ROLL STARTER STRIP UNDER

10MM. Min. STRAPPING AS PER 9.27.2.2 @ 400mm O/C Max. PRESSURE TREATED MATERIAL IS RECOMMENDED

VERIFY THAT THE FASTENERS USED ARE SUITABLE FOR THE TYPE OF PRESSURE TREATMENT CHEMICALS USED (PARTICULARLY WITH ACQ)







CAULK WINDOW FRAME TO P&S

POLYURETHANE CAULK

REQUIRED FLASHING

PEEL & STICK MEMBRANE

TRIM BOARD

300MM STARTER PAPER

P.T. STRAPPING AT 400mm O/C Max.

FLASHING ON TOP OF STRAPPING

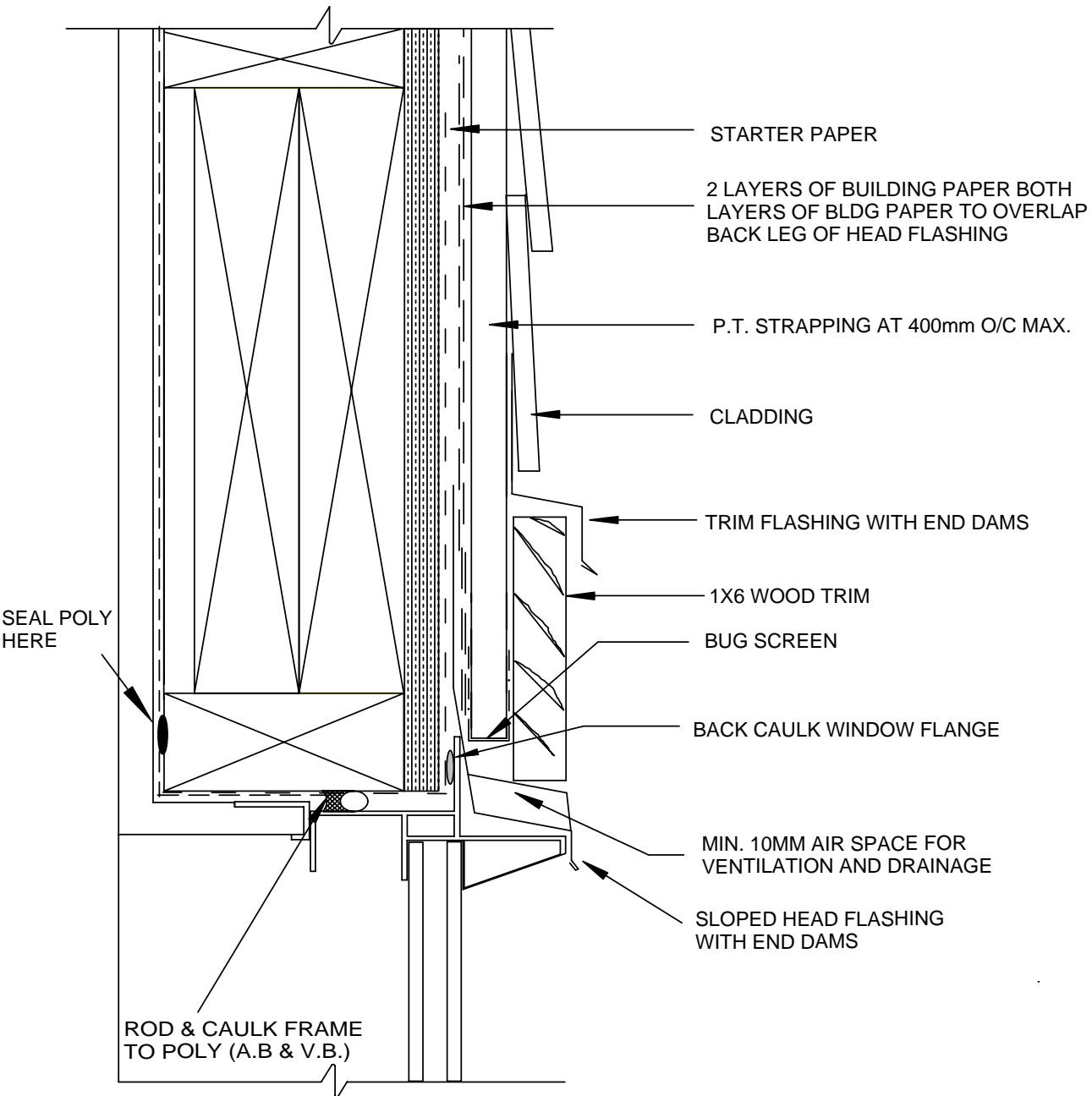
TWO LAYERS OF BUILDING PAPER

5mm MIN FOR DRIP

EXTERIOR CLADDING

SEAL POLY (A.B & V.B) TO P&S

SEAL POLY HERE



BUILDING PAPER TO EXTEND OVER WINDOW
FLANGE SEAL TO FLANGE WITH CAULKING

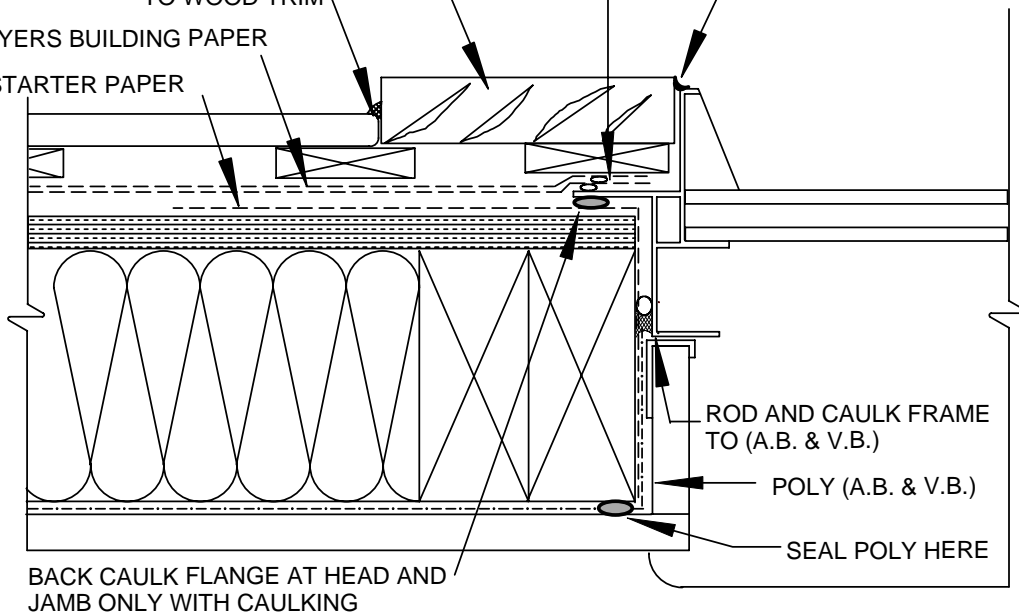
WOOD TRIM

CLADDING CAULKED
TO WOOD TRIM

POLYURETHANE CAULK

2 LAYERS BUILDING PAPER

STARTER PAPER



BACK CAULK FLANGE AT HEAD AND
JAMB ONLY WITH CAULKING

ROD AND CAULK FRAME
TO (A.B. & V.B.)

POLY (A.B. & V.B.)

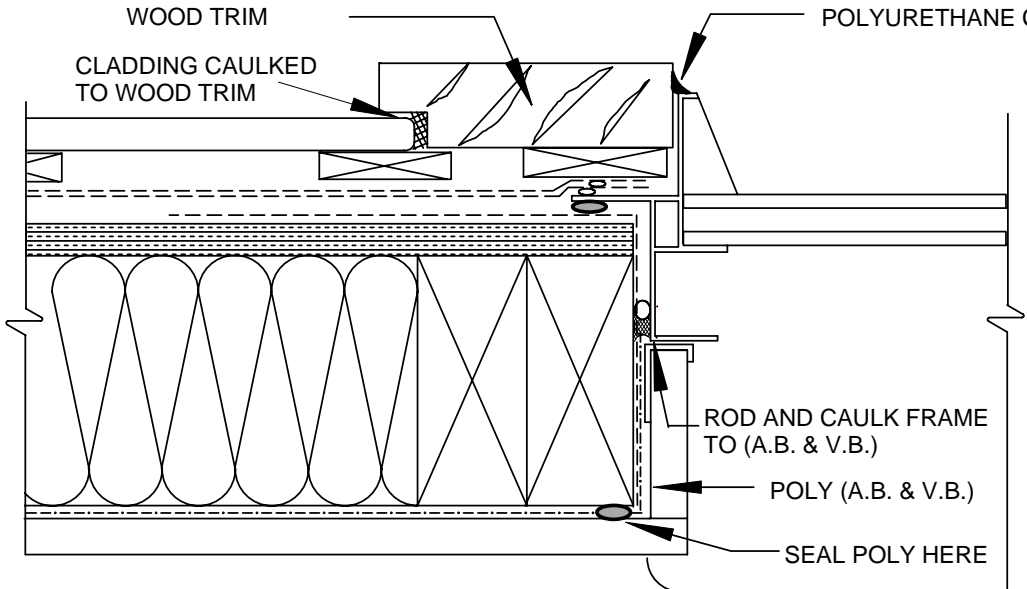
SEAL POLY HERE

WINDOW JAMB WITH 1 x 6 TRIM

WOOD TRIM

CLADDING CAULKED
TO WOOD TRIM

POLYURETHANE CAULK



ROD AND CAULK FRAME
TO (A.B. & V.B.)

POLY (A.B. & V.B.)

SEAL POLY HERE

WINDOW JAMB WITH 2 x 6 TRIM